

# **ALPHA MOBILITY ELEVATOR**

RESIDENTIAL ELEVATOR



# Technical Specifications

## General Specifications

---

<b>Drive Type</b>	Winding Drum
<b>Rated Capacity</b>	950 lbs
<b>Travel Speed</b>	40fpm
<b>Maximum Travel</b>	40'
<b>Maximum Landings</b>	4
<b>Power Requirement</b>	240V   single phase   30 amp 110V   single phase   15 amp

<sup>1</sup> For custom platform sizes not listed, please contact.

<sup>2</sup> 36" x 36" platform size only available for inline cabin configurations.

## Design Specifications

---

<b>Cabin Height</b>	84"
<b>Cabin Doors</b>	Manual or Automatic Good Gate
<b>Landing Doors</b>	Landing doors by others, interlocks supplied
<b>Cabin Size<sup>1</sup></b>	Width: 30"- 42" / Length: 36 - 50"

## Fixture Specifications

---

<b>Car Operating Panel</b>	Illuminated push buttons with digital position indicator (DPI)
<b>Phone</b>	Cabinet with standard phone
<b>Call Stations</b>	Illuminated push buttons with digital position indicator (DPI)

# Pit and Overhead Requirements

## Minimum Overhead Required

Overhead requirements will vary depending on the method of operating the cabin door. Cabins with manual sliding gates will require less overhead than cabins with automatic sliding operators.

### Door Type

Gate 84" – Manual

Gate 84" – Automatic

### Minimum Overhead Required

104"

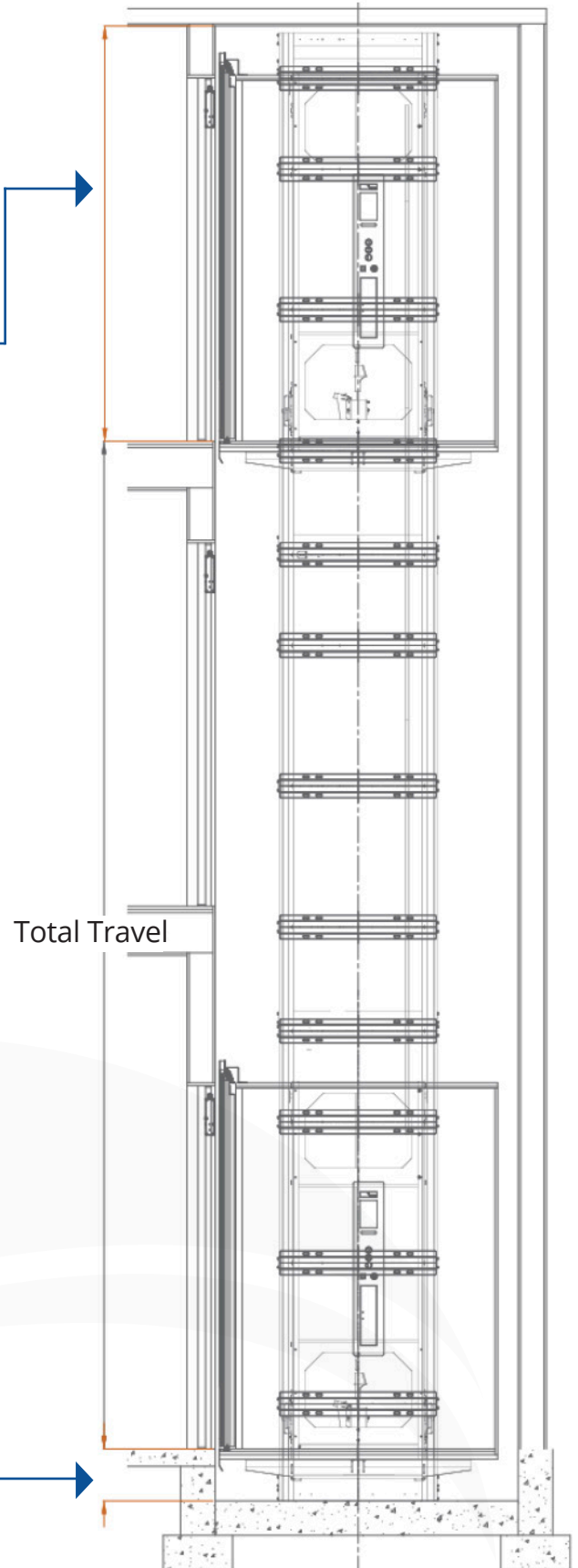
96" minimum, 102" preferred

Overhead is measured from the floor of the upper landing to the top of the hoistway.

### Pit Depth

Preferred

12"



# Landing Door Requirements

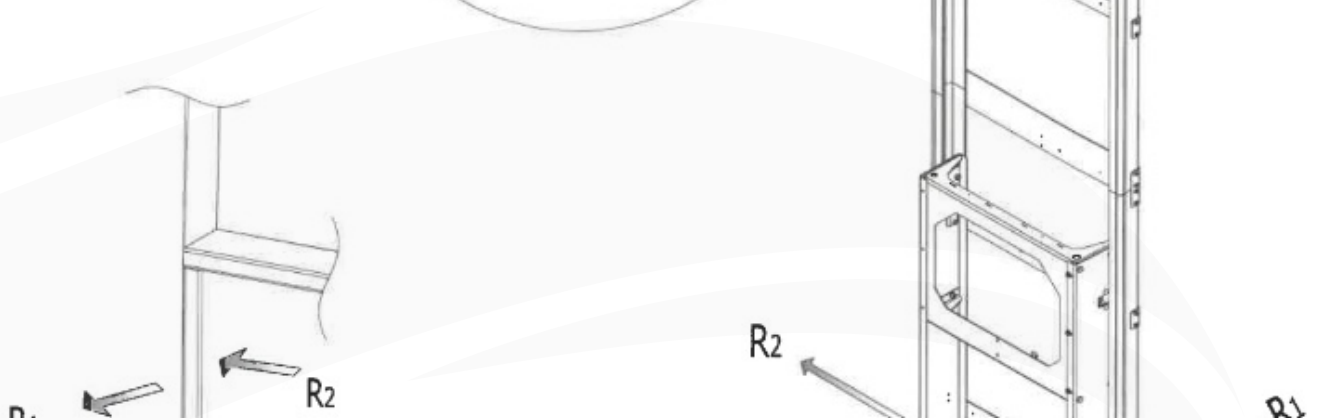
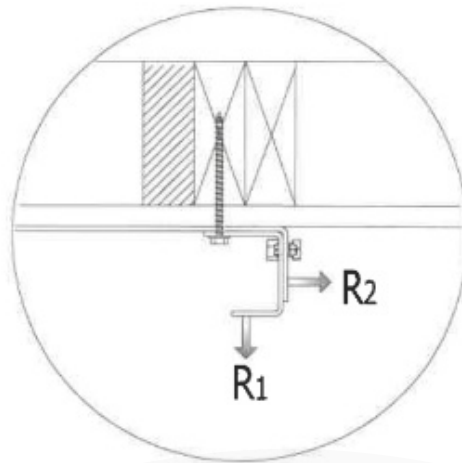
## Landing Door Swing Directions

The sliding gate on all cabin configurations is designed to recess towards the rail wall. This efficiently utilizes the hoistway space, minimizing the total area required. Since the gate collapses in the direction of the rail wall, the opening will be on the opposing side of the rail wall. It is the manufacturer's recommendation to align the opening of the landing door with the opening of the cabin gate. This allows for the maximum gate opening width. A good rule of thumb is to align the hinges of the landing door to be on the same side as the rail wall.

If opposing door swings are required, consult the factory for alternate door centerlines.

### Reaction Details

LOADS	
R1	255 lbs
R2	590 Lbs
R3	4150 Lbs



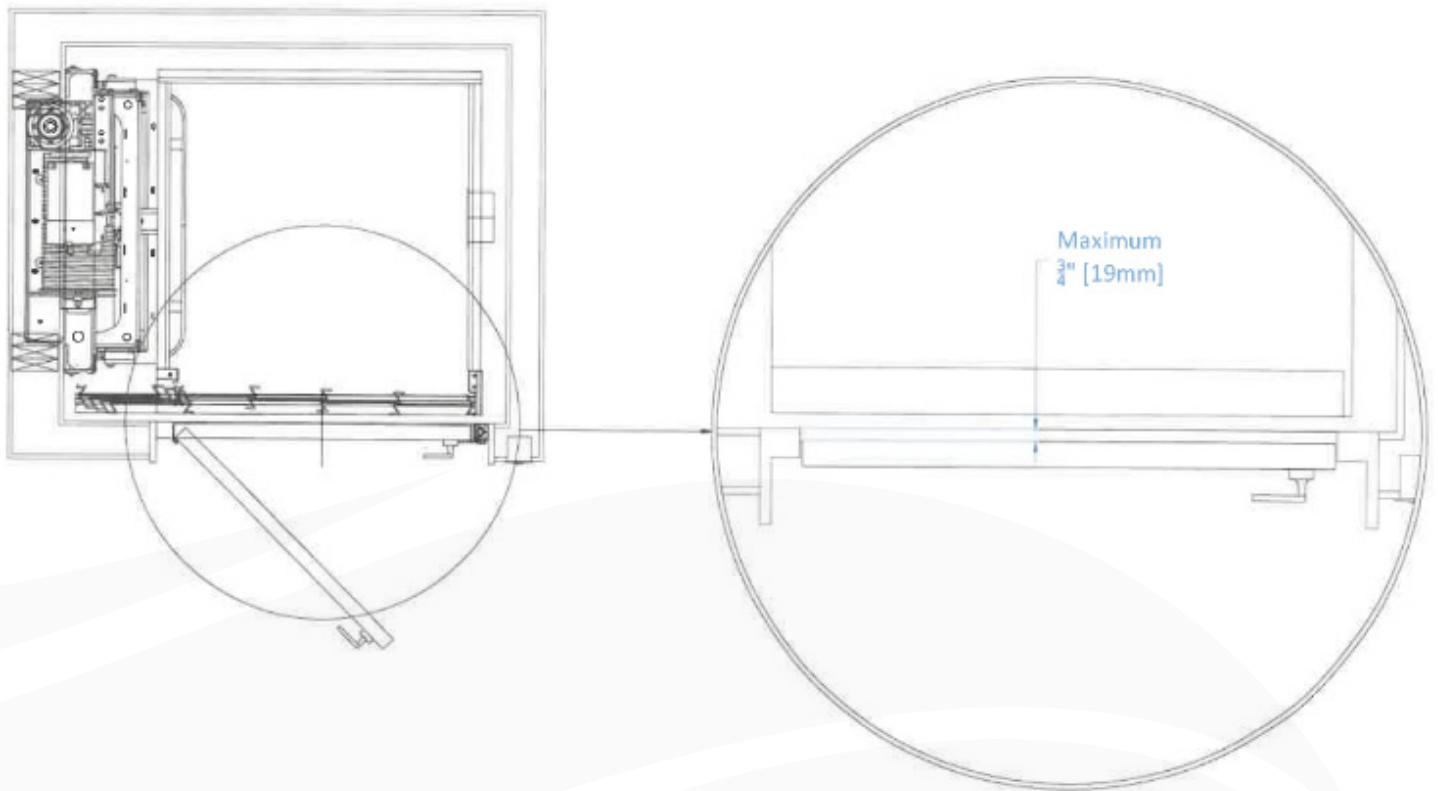
# Landing Door Requirements

## Clearance Between Hoistway Doors and Landing Sills

The Elevator is designed to meet or exceed the standards established by ASME A17.1 / CSA B44. In jurisdictions following versions of ASME A17.1 / CSA B44 2016 or newer, the maximum allowable clearance between the hoistway doors and the landing sill is  $\frac{3}{4}$ ". In order to comply with this requirement, flush mounting landing doors must be installed.

In jurisdictions following versions of ASME A17.1 / CSA B44 2013 or older, it is still the manufacturer's recommendation that hoistway landing doors be installed in compliance with these standards.

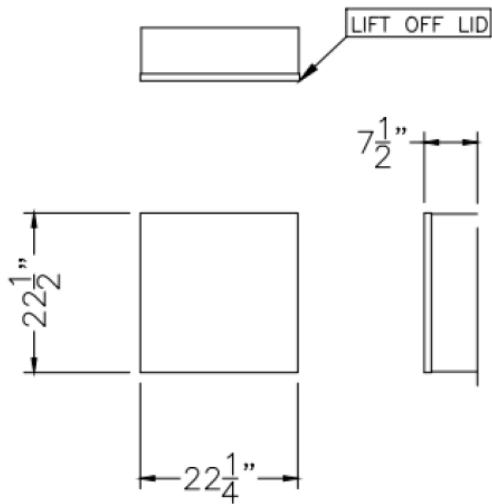
It is the homeowner's / contractor's responsibility to ensure these standards are followed.



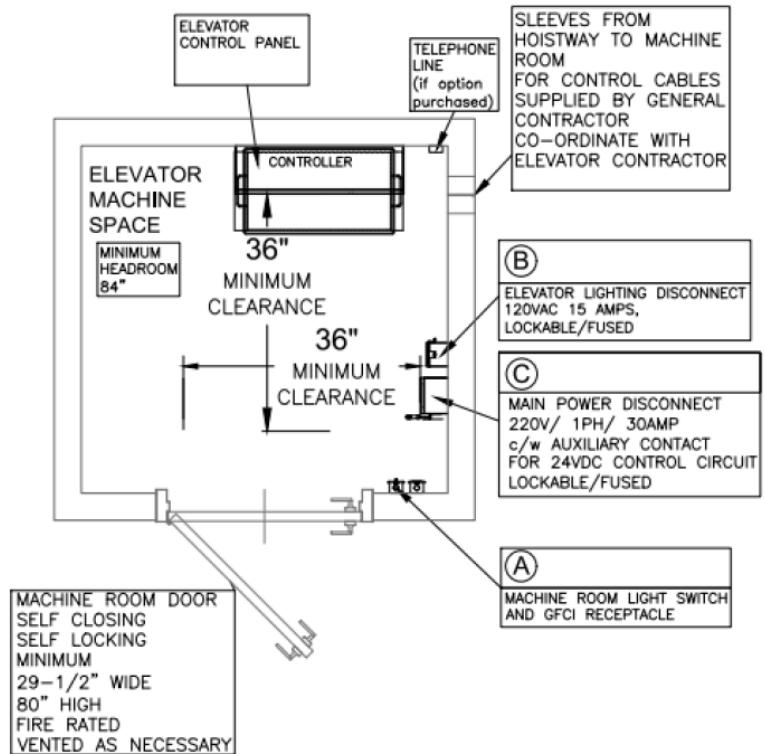
The distance between the face of the hoistway doors and hoistway edge of the landing sill shall not exceed 19 mm [0.75 in.]

# Machine Room Requirements

Elevator Control Enclosure  
(mounted on wall of machine room)



As per the National Electrical Code, all electrical equipment requires a 36" clear working space in front of the equipment



## Machine Room Requirements (by others)

### Machine Room / Space Lighting and Service Receptacle

Provide a 120 VAC GFCI duplex receptacle at the machine location. Provide adequate lighting in the machine space with a switch located within easy reach of the point of entry. Power to be supplied from distribution panel as an independent branch circuit.

Provide a telephone line to the machine room and connected to the elevator controller (if applicable)

### Lighting Supply Disconnect

15 AMP fused lockable disconnect switch for 120-1-60 power supply. Power to be supplied from distribution panel as an independent branch switch circuit. Switch to be fused at 15 AMP.

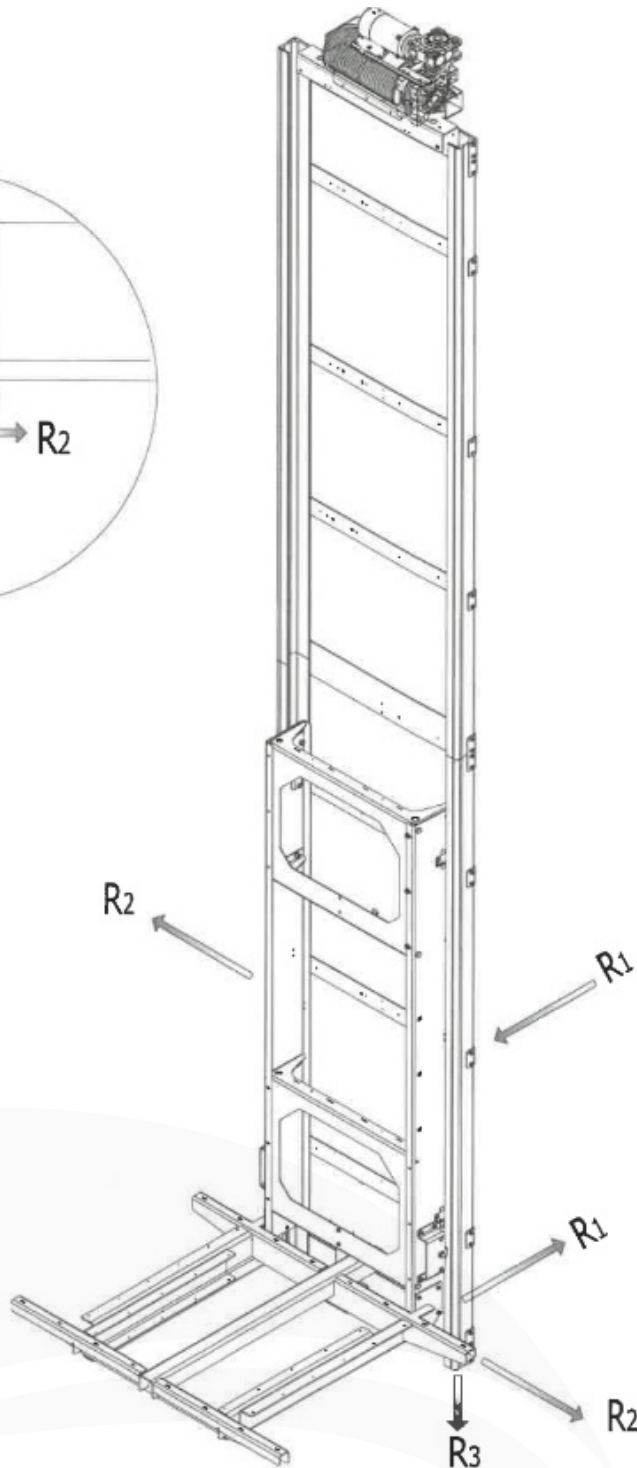
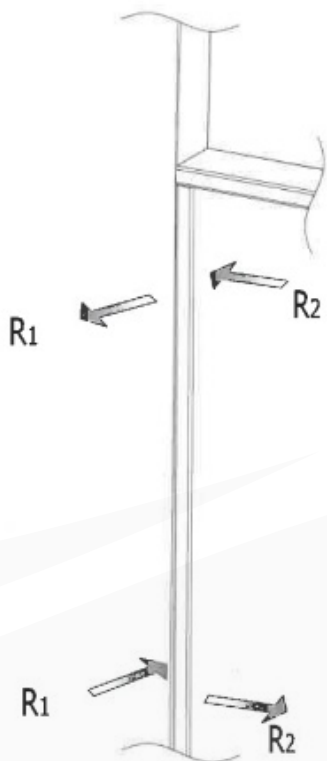
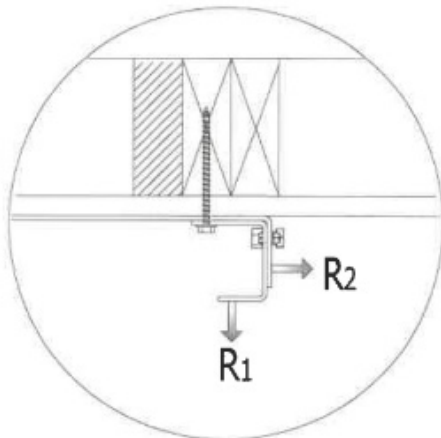
### Main Disconnect

30 AMP fused lockable disconnect switch for main power supply provided with neutral. Switch must also be provided with an auxiliary contact designed to open when the disconnect switch is opened.

# Rail Wall Construction

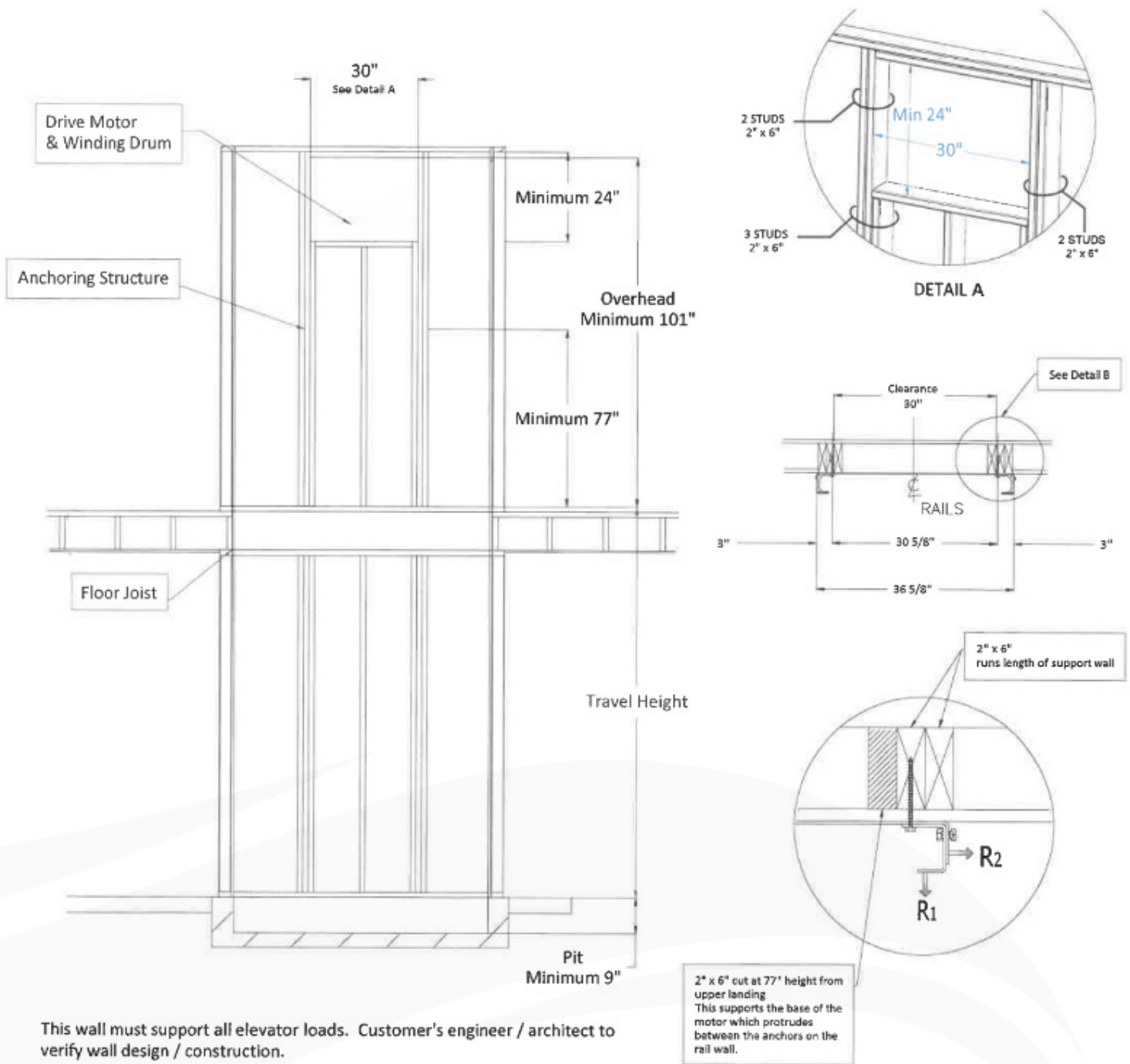
## Reaction Details

LOADS	
R1	255 lbs
R2	590 Lbs
R3	4150 Lbs



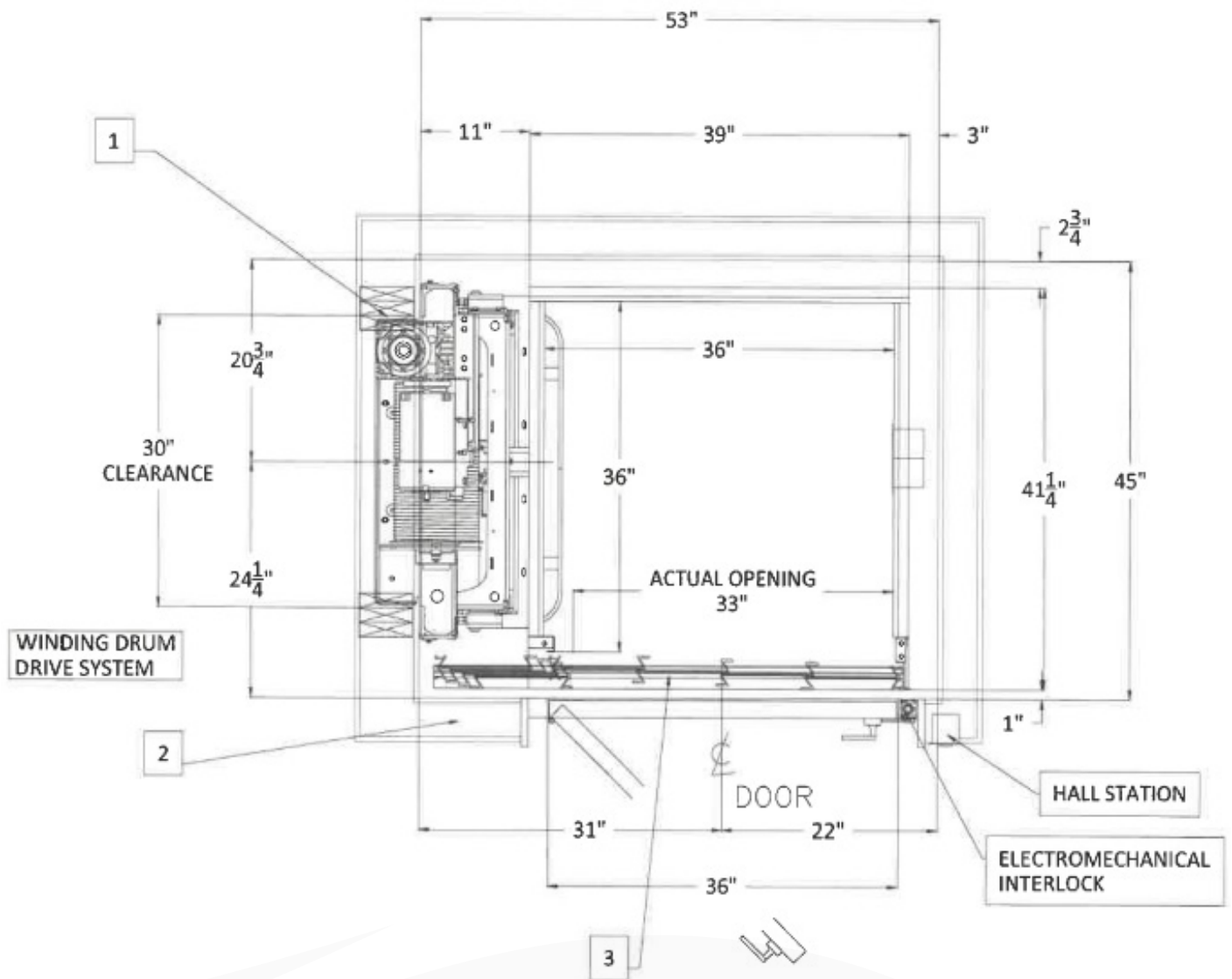
# Rail Wall Construction

## Suggested Rail Wall Construction



# Typical Hoistway Layout

## Inline | 36" x 36" Cabin Size



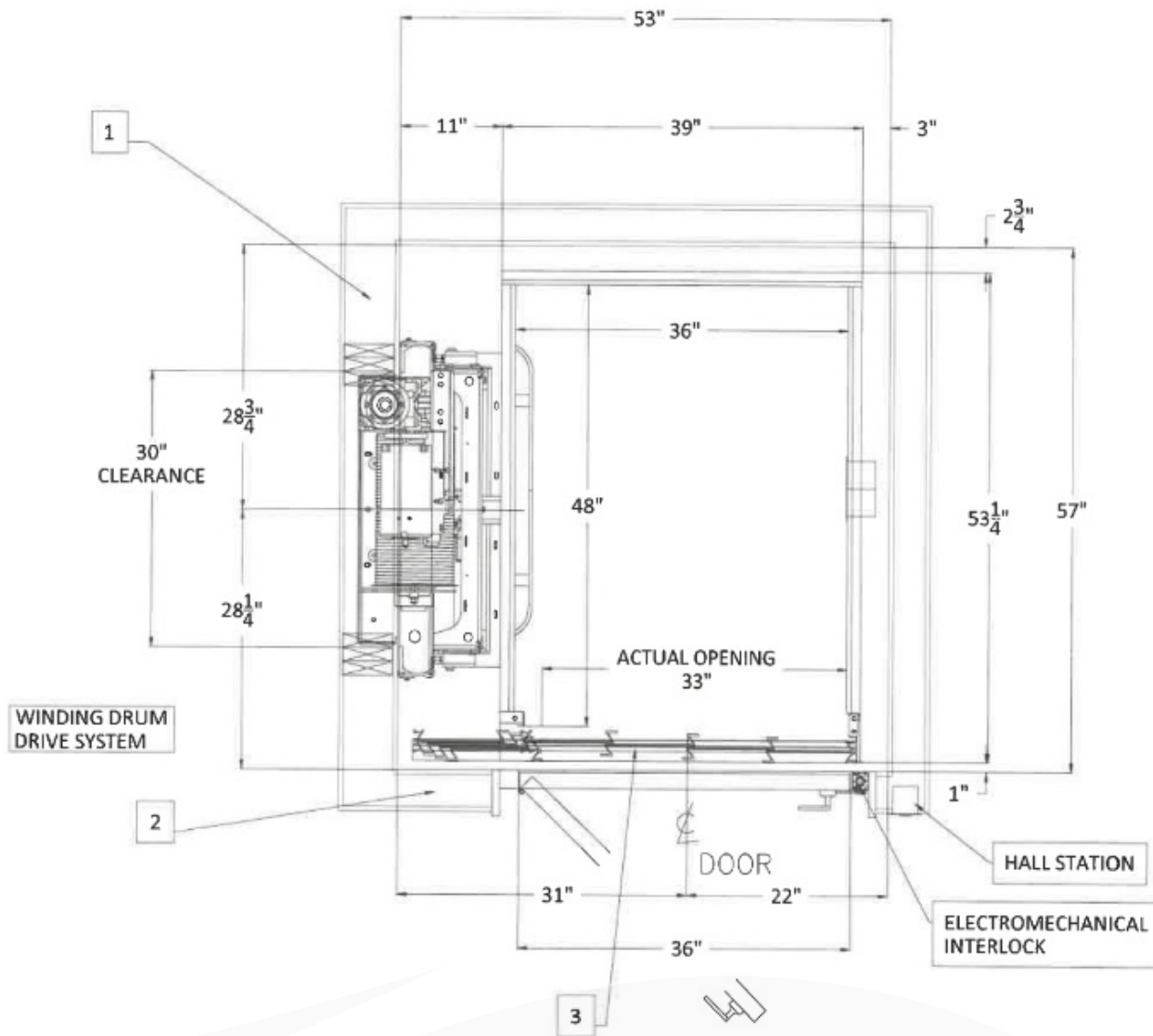
LEFT HAND WALL SHOWN, LAYOUT MAY BE MIRRORED FOR RIGHT HAND RAIL WALL. DOOR CENTERLINES FLIP ACCORDINGLY. DRAWING REFLECTS CLEAR FINISHED HOISTWAY DIMENSIONS.

ALL DIMENSIONS MUST BE SQUARE AND PLUMB WITHIN 1/4" [5 MM]

1. This wall must support all elevator loads. Customer's engineer / architect to verify wall design / construction.
2. 2 x 4 door wall construction recommended. It is client's responsibility to ensure door clearance comply with all applicable codes and standards.
3. Gate car gate, 36" W x 84" H, 33" x 83 1/4" actual opening.

# Typical Hoistway Layout

Inline | 36" x 48" Cabin Size



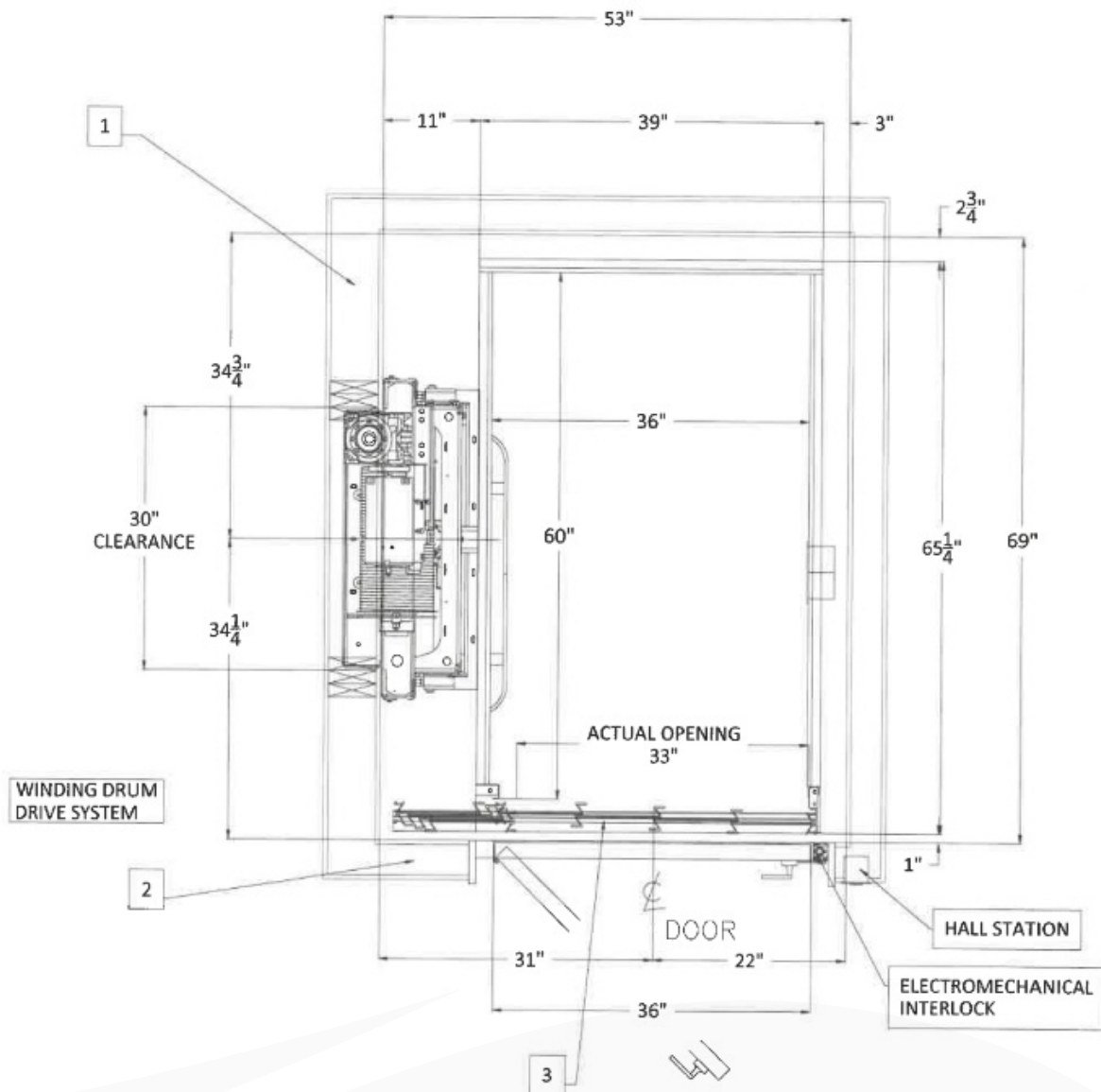
LEFT HAND WALL SHOWN, LAYOUT MAY BE MIRRORED FOR RIGHT HAND RAIL WALL. DOOR CENTERLINES FLIP ACCORDINGLY. DRAWING REFLECTS CLEAR FINISHED HOISTWAY DIMENSIONS.

ALL DIMENSIONS MUST BE SQUARE AND PLUMB WITHIN 1/4" [5 MM]

1. This wall must support all elevator loads. Customer's engineer / architect to verify wall design / construction.
2. 2 x 4 door wall construction recommended. It is client's responsibility to ensure door clearance comply with all applicable codes and standards.
3. Gate car gate, 36" W x 84" H, 33" x 83 1/4" actual opening.

# Typical Hoistway Layout

## Inline | 36" x 60" Cabin Size



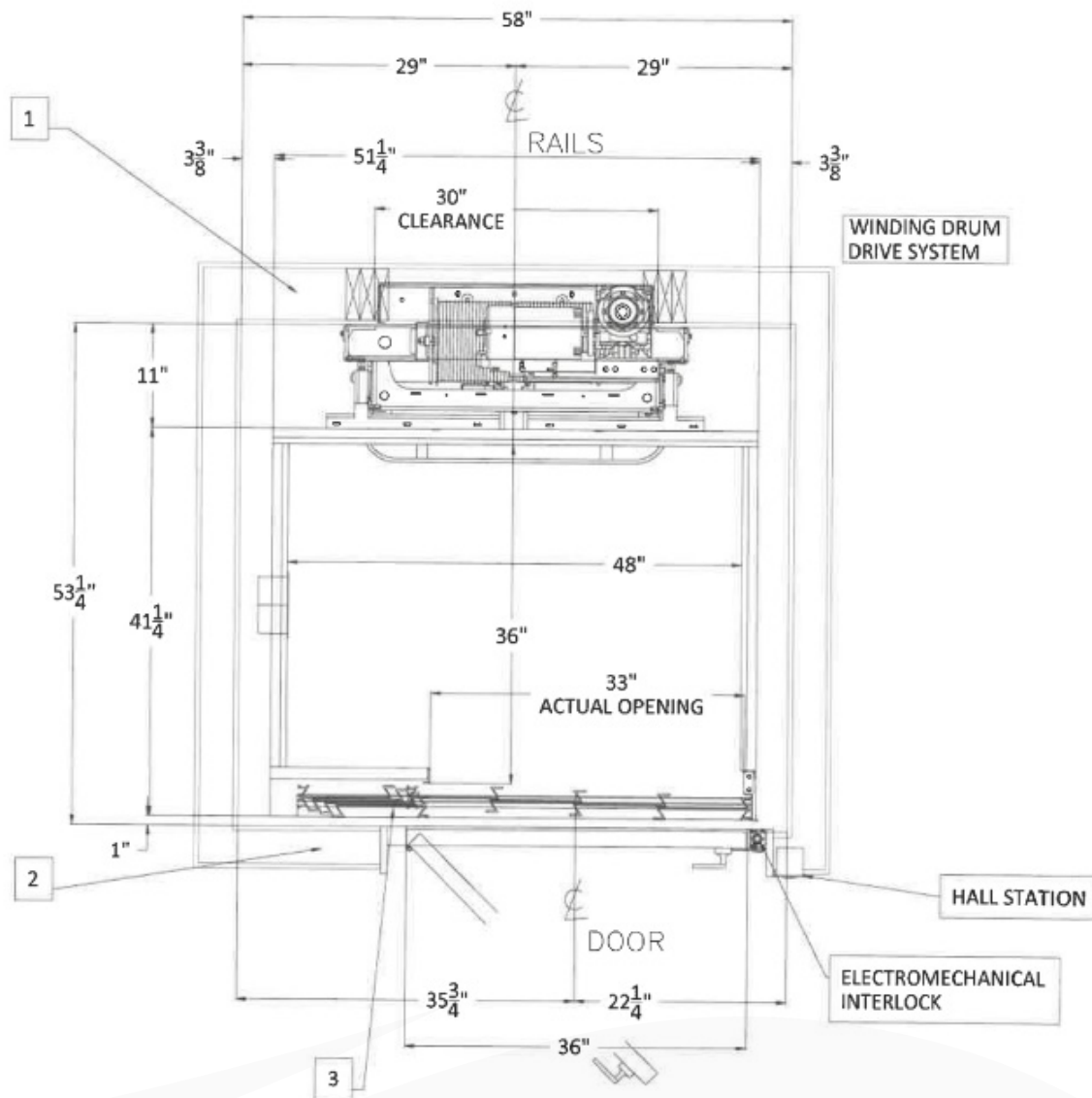
LEFT HAND WALL SHOWN, LAYOUT MAY BE MIRRORED FOR RIGHT HAND RAIL WALL. DOOR CENTERLINES FLIP ACCORDINGLY. DRAWING REFLECTS CLEAR FINISHED HOISTWAY DIMENSIONS.

ALL DIMENSIONS MUST BE SQUARE AND PLUMB WITHIN 1/4" [5 MM]

1. This wall must support all elevator loads. Customer's engineer / architect to verify wall design / construction.
2. 2 x 4 door wall construction recommended. It is client's responsibility to ensure door clearance comply with all applicable codes and standards.
3. Gate car gate, 36" W x 84" H, 33" x 83 1/4" actual opening.

# Typical Hoistway Layout

## Rear Rails | 36" x 60" Cabin Size



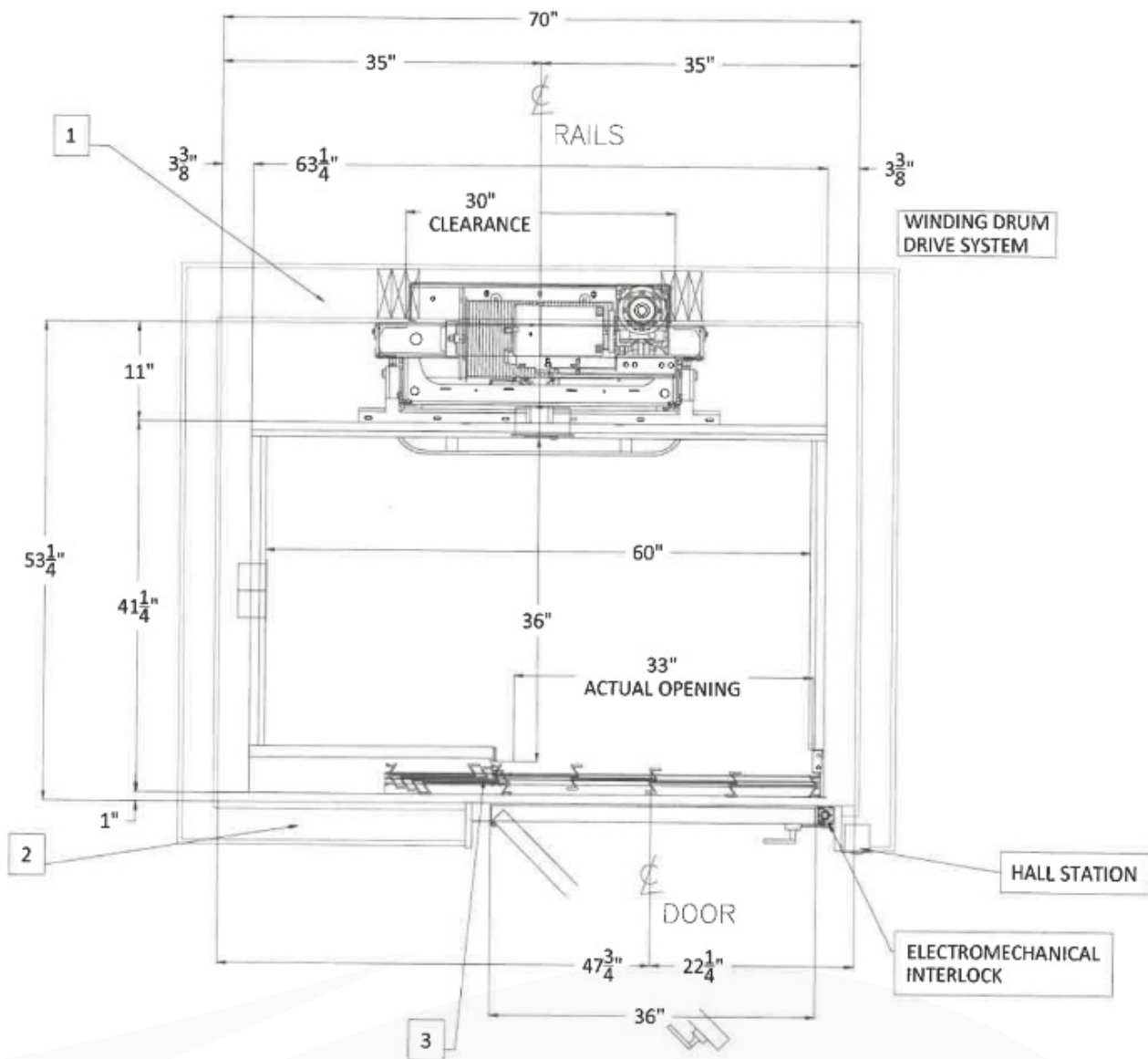
RIGHT HAND WALL SHOWN, LAYOUT MAY BE MIRRORED FOR LEFT HAND RAIL WALL. DOOR CENTERLINES FLIP ACCORDINGLY. DRAWING REFLECTS CLEAR FINISHED HOISTWAY DIMENSIONS.

ALL DIMENSIONS MUST BE SQUARE AND PLUMB WITHIN 1/4" [5 MM]

1. This wall must support all elevator loads. Customer's engineer / architect to verify wall design / construction.
2. 2 x 4 door wall construction recommended. It is client's responsibility to ensure door clearance comply with all applicable codes and standards.
3. Gate car gate, 36" W x 84" H, 33" x 83 1/4" actual opening.

# Typical Hoistway Layout

## Rear Rails | 36" x 60" Cabin Size



RIGHT HAND WALL SHOWN, LAYOUT MAY BE MIRRORED FOR LEFT HAND RAIL WALL. DOOR CENTERLINES FLIP ACCORDINGLY. DRAWING REFLECTS CLEAR FINISHED HOISTWAY DIMENSIONS.

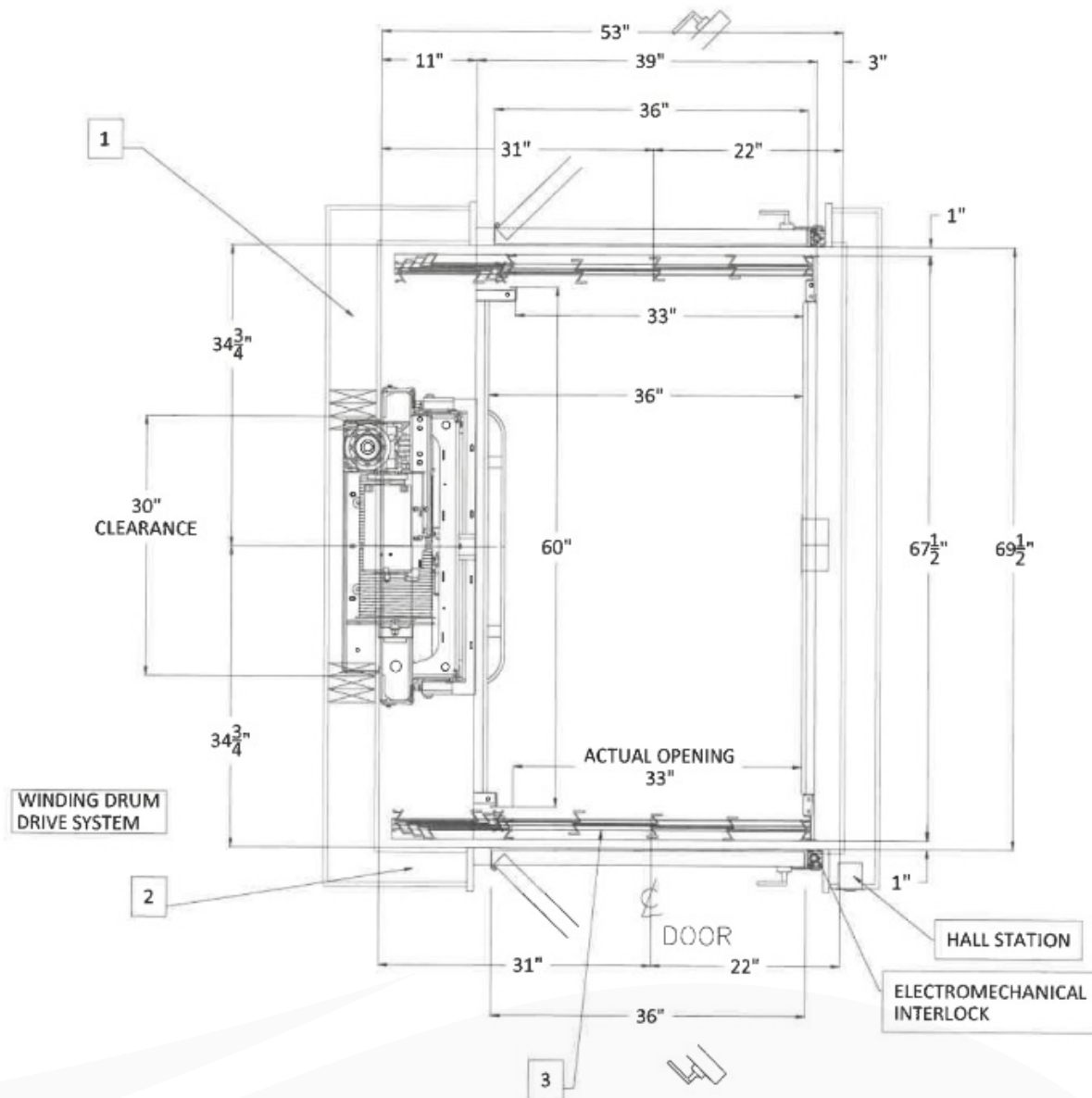
ALL DIMENSIONS MUST BE SQUARE AND PLUMB WITHIN 1/4" [5 MM]

1. This wall must support all elevator loads. Customer's engineer / architect to verify wall design / construction.
2. 2 x 4 door wall construction recommended. It is client's responsibility to ensure door clearance comply with all applicable codes and standards.
3. Gate car gate, 36" W x 84" H, 33" x 83 1/4" actual opening.



# Typical Hoistway Layout

Through | 36" x 60" Cabin Size



LEFT HAND WALL SHOWN, LAYOUT MAY BE MIRRORED FOR RIGHT HAND RAIL WALL. DOOR CENTERLINES FLIP ACCORDINGLY. DRAWING REFLECTS CLEAR FINISHED HOISTWAY DIMENSIONS.

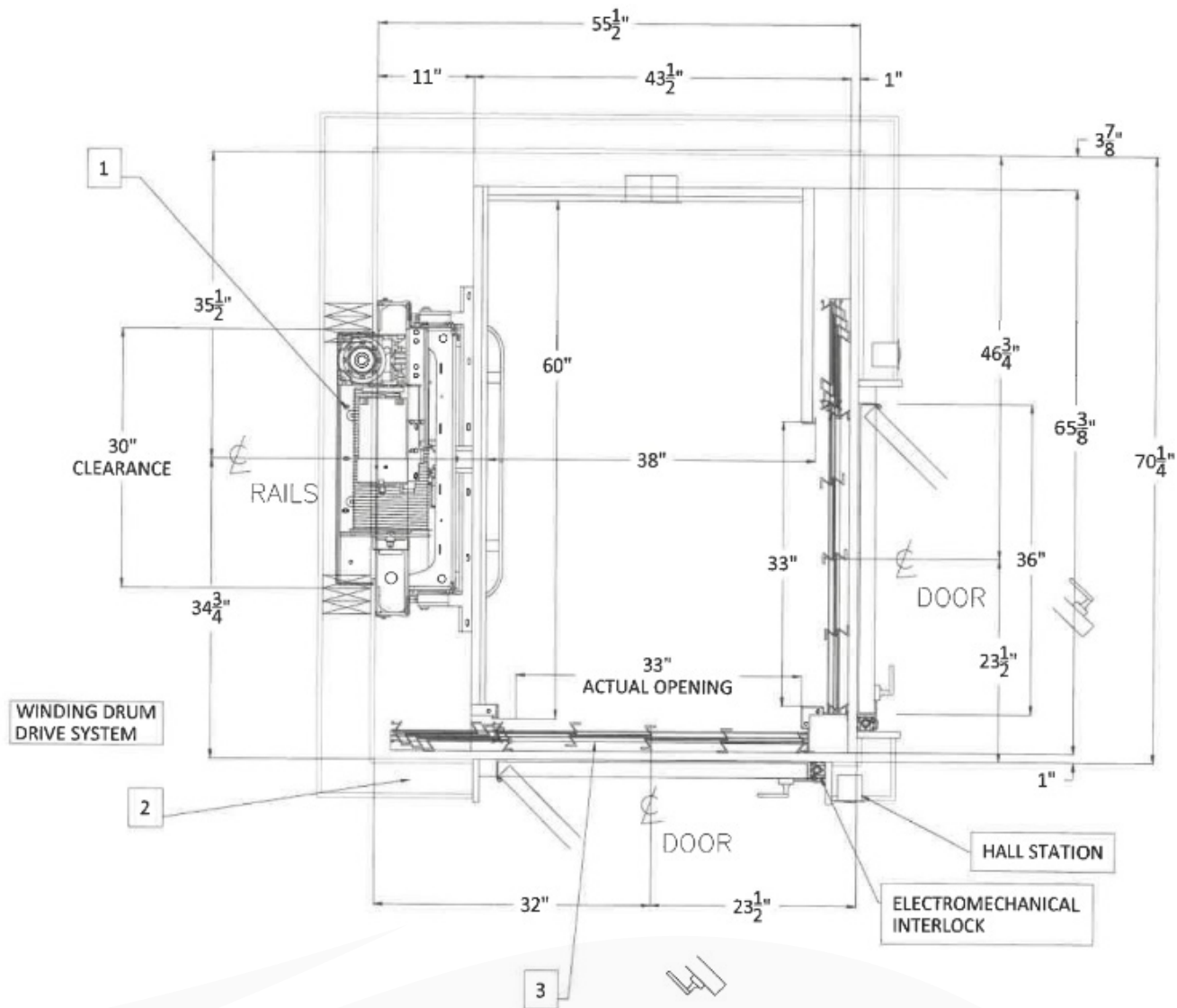
ALL DIMENSIONS MUST BE SQUARE AND PLUMB WITHIN 1/4" [5 MM]

1. This wall must support all elevator loads. Customer's engineer / architect to verify wall design / construction.
2. 2 x 4 door wall construction recommended. It is client's responsibility to ensure door clearance comply with all applicable codes and standards.
3. Gate car gate, 36" W x 84" H, 33" x 83 1/4" actual opening.



# Typical Hoistway Layout

90° | 38" x 60" Cabin Size



LEFT HAND WALL SHOWN, LAYOUT MAY BE MIRRORED FOR RIGHT HAND RAIL WALL. DOOR CENTERLINES FLIP ACCORDINGLY. DRAWING REFLECTS CLEAR FINISHED HOISTWAY DIMENSIONS.

ALL DIMENSIONS MUST BE SQUARE AND PLUMB WITHIN 1/4" [5 MM]

1. This wall must support all elevator loads. Customer's engineer / architect to verify wall design / construction.
2. 2 x 4 door wall construction recommended. It is client's responsibility to ensure door clearance comply with all applicable codes and standards.
3. Gate car gate, 36" W x 84" H, 33" x 83 1/4" actual opening.

---

Elevate You:

# Design Your Elevator

Design Guide

## Cabin Finishes

Wood veneer offers a sleek wood option or a base for a cabinet finisher to add moldings to match any home decor.

### Available Finishes:



Eclipse



Frisquet



Dorato Grey



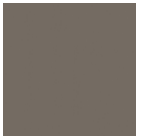
Classic  
Chocolate



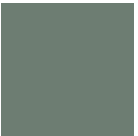
Otter Grey



Unfinished  
MDF



Shipsaw



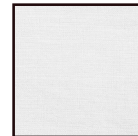
Serenity



Etrusco



Charcoal



Sheer Linen



Acrylic



## Ceiling Finishes

**Note:** the ceiling finish will be the same as the cabin finish.

- Eclipse
- Frisquet
- Dorato Grey
- Classic Chocolate
- Otter Grey
- Shipsaw
- Serenity
- Etrusco
- Charcoal
- Sheer Linen
- Unfinished MDF
- Acrylic

## Ceiling Lighting



Two Recessed  
LED Lights  
(Standard)



Four Recessed  
LED Lights

## Fixtures and Call Station

There are several options for the Control Operating Panel (COP) to choose from.



Touch Screen COP  
(Standard)



Call Station  
(Standard)



COP with Push Buttons  
(Optional)

## Good Gate Finishes

We offer a variety of gate styles.



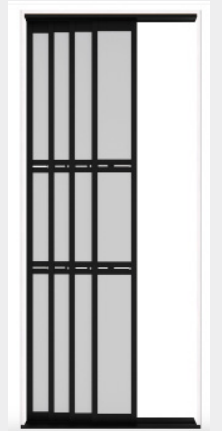
White with  
Silver Frame  
(Standard)



Clear Acrylic with  
Silver Frame  
(Standard)



Clear Acrylic with  
Black  
Frame  
(Custom)



White with  
Black Frame  
(Custom)